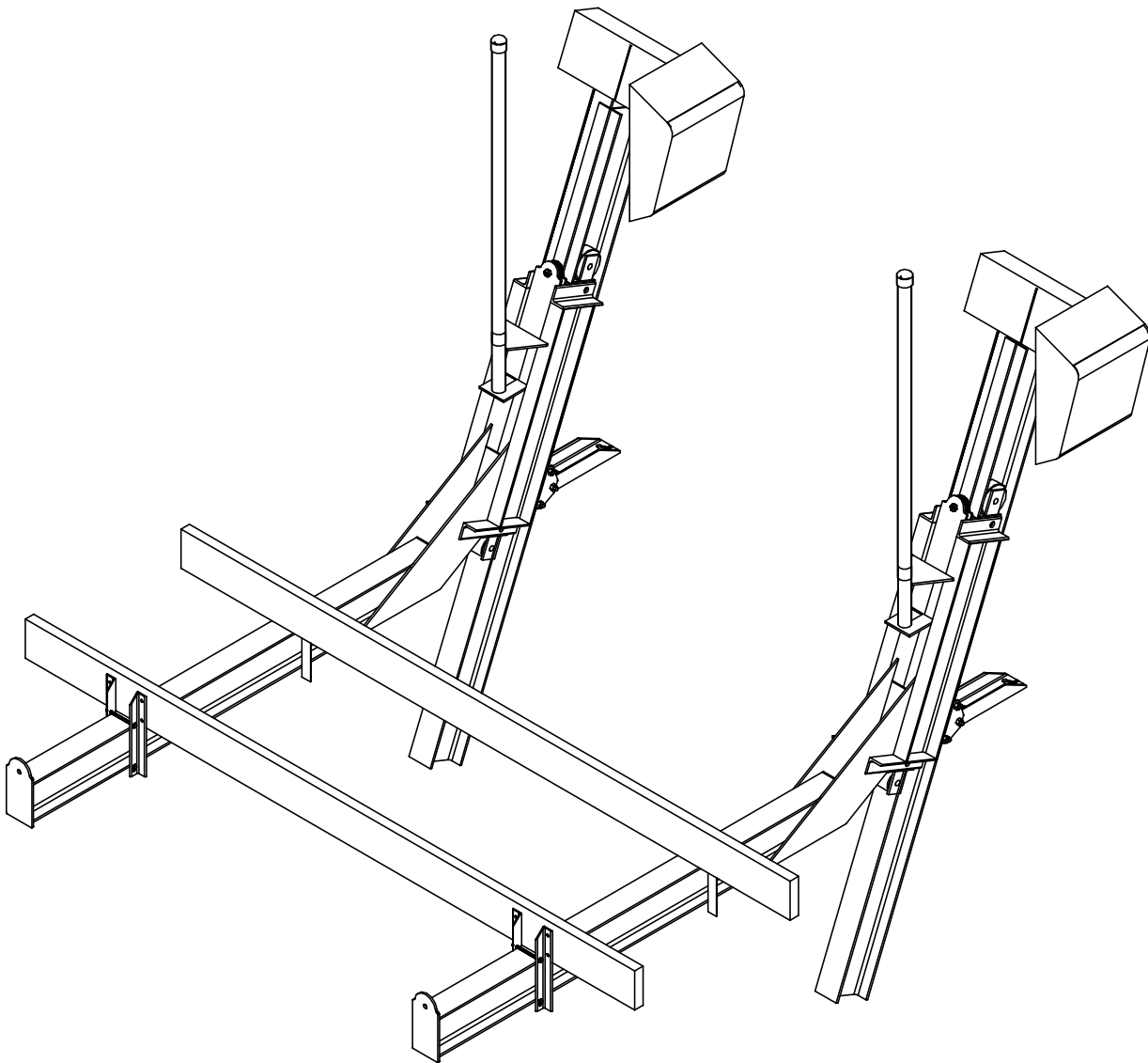


INSTALLATION

INSTRUCTIONS



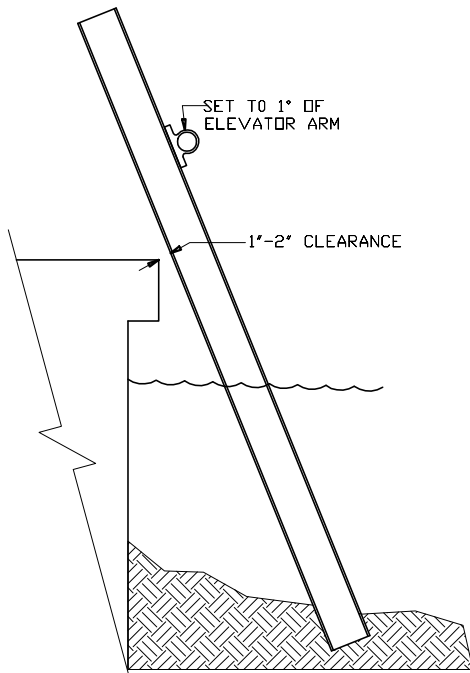


ILLUSTRATION 1

STEP 1

Position the track at the desired location on the sea wall. Angle the track using a protractor to set the angle (refer to illustration 1). Set the angle at 1 to $1\frac{1}{2}$ degrees back. (meaning top of beam towards the sea wall).

NOTE: Be sure to check the vertical alignment at the side of the track.

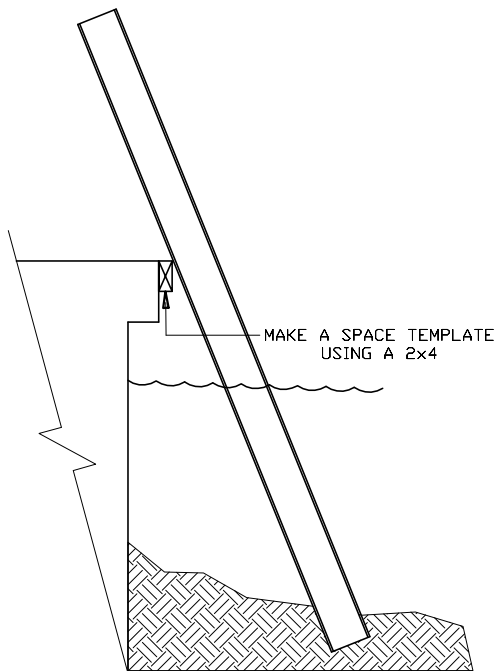


ILLUSTRATION 2

STEP 2

Raise and drop track driver to drive and set track at proper depth. A jet pump may be useful to set the track in various soil conditions. Raise and drop track driver until track does not go any further then $\frac{1}{4}$ " after 10 drives.

If a track driver is not available, use a large sledge hammer.

IMPORTANT: Check the level of the track (beam) during this procedure.

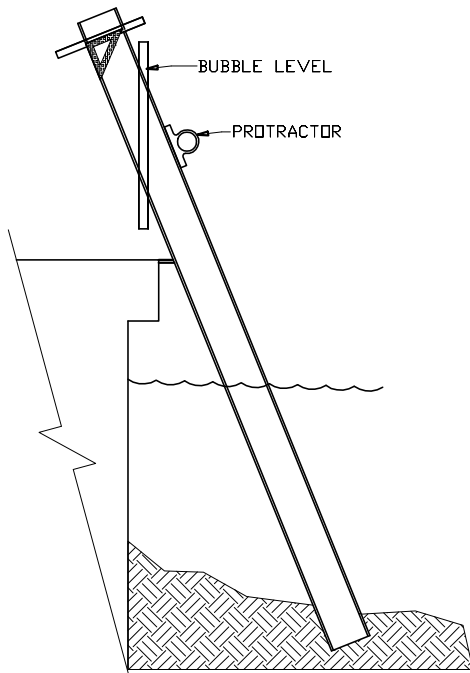


ILLUSTRATION 3

STEP 3

IMPORTANT NOTE: Check level and angle adjustment one more time by moving track (beam) in and out and side to side. When level mark the sea wall to locate the proper place.

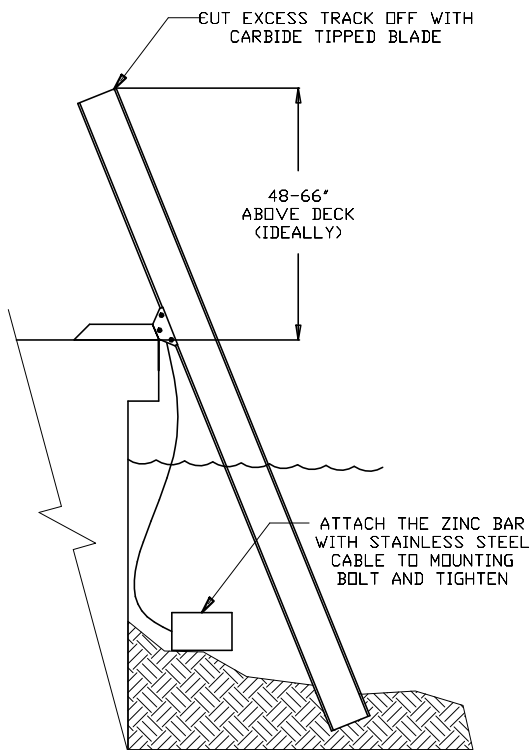


ILLUSTRATION 4

STEP 4

Slide the mounting bracket down to concrete. Maintain the 1-2" space between sea wall and I-beam track. Mark the holes and drill for $\frac{3}{4}$ " stainless steel anchors. Mount the channel to the concrete and tighten the angles to the track. Be sure to attach the zinc bar with stainless steel cable to $\frac{1}{2}$ " bolt assembly on the I-beam mounting bracket.

Measure the desired height and cut both tracks the same with a standard wood cutting carbide tipped circular saw blade.

STEP 5

Set second track 9' to 12' apart for 3,000# to 10,000#. For 3 part and 4 part 12,000# to 20,000# set 10' to 14' apart.

IMPORTANT NOTE: Set at same angle as the first track. Adjust beam to keep equal distance top and bottom during the driving of the track.

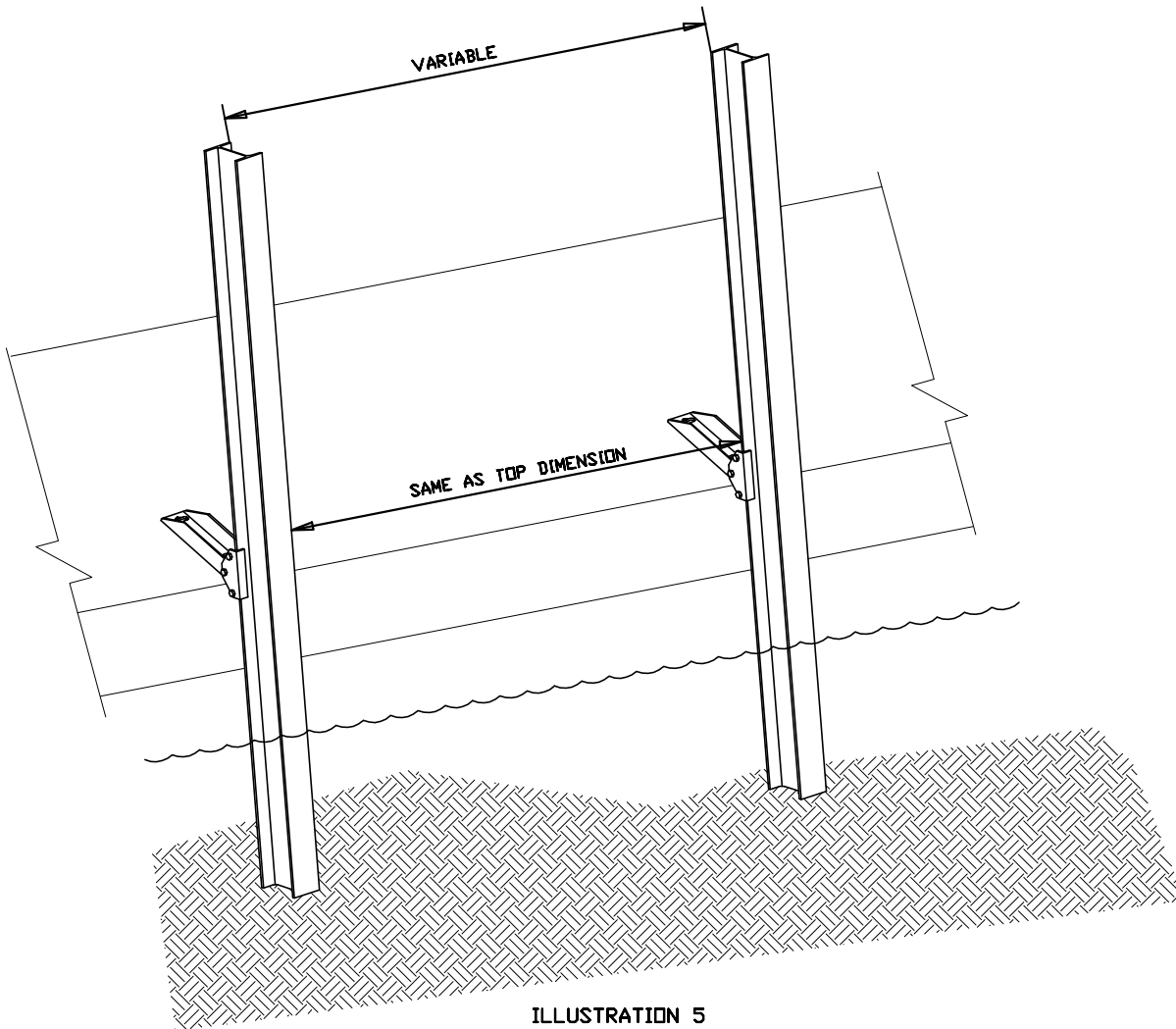
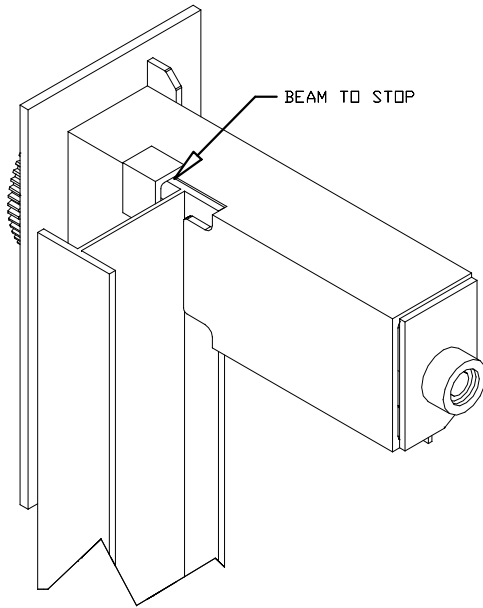


ILLUSTRATION 5

Measure the distance at the top of the track, than measure the distance at the lowest point on the track at the sea wall. Set the second track to the dimensions of the first track. Adjust beam to keep equal distance top and bottom during the driving of the track.

Drive track and fasten as in Steps 2,3, and 4.

STEP 6

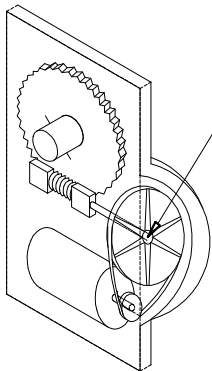


Slide head unit onto I-beam.
Make sure head unit is secure in slot.

ILLUSTRATION 6

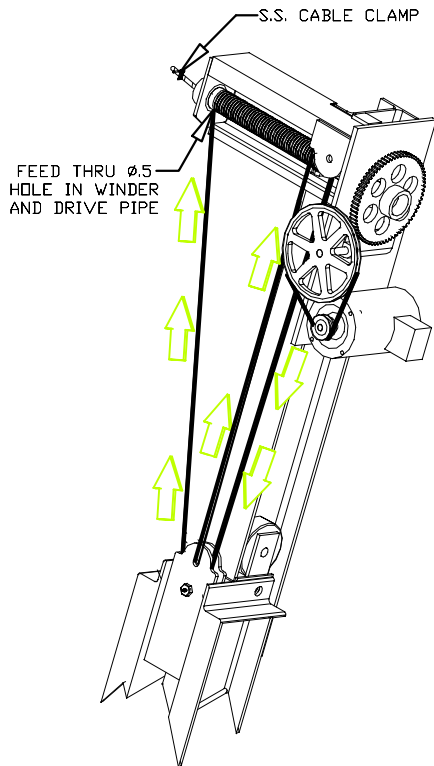
STEP 7

DRIVE UNIT ASSEMBLY



Tap on the large pulley and align with the motor pulley.
Tighten the Allen head set screws. Attach motor top
holes to backing plate with short bolts provided. The
longer bolts are for the bottom and are used for the
attachment of the motor cover slide bracket.
Place belt around both pulleys starting with the motor pulley.

ILLUSTRATION 7



3 PART LIFT
ILLUSTRATION 8-A

STEP 8

Installing The Cables

Connect looped end of cable to shackle (see illustration 8). Then feed cable thru winder and attach S.S. clamp then pull thru into winder.

Remove the upper wheel brackets. Attach cable by removing the pulleys on the arms (refer to illustration). On a 3 part lift both pulley's must be removed.

Route cable through the pulley slot and reinsert the pulley and axle.

CAUTION be sure the cable is not twisted when the arm is swung out over the water.

Plug in the electric motor and run the cable up to apply tension on the cable. Swing cradle arm out over the water using the guide pole as leverage lining up the bottom wheel on top of the track.

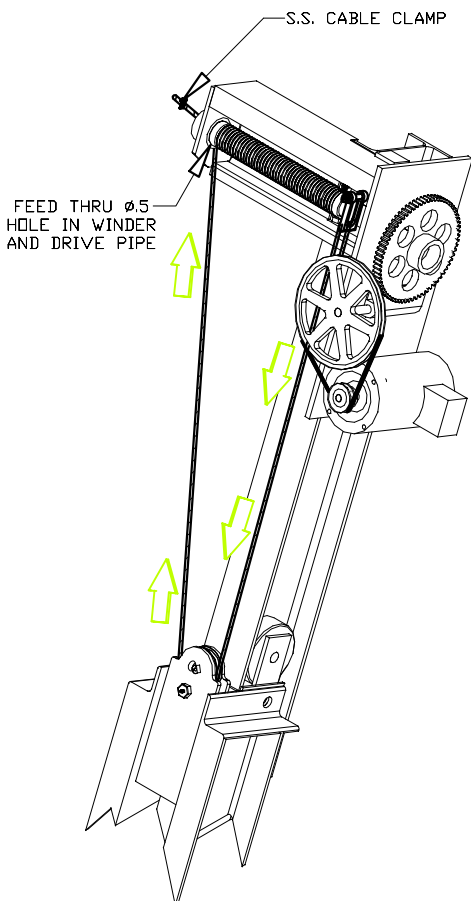
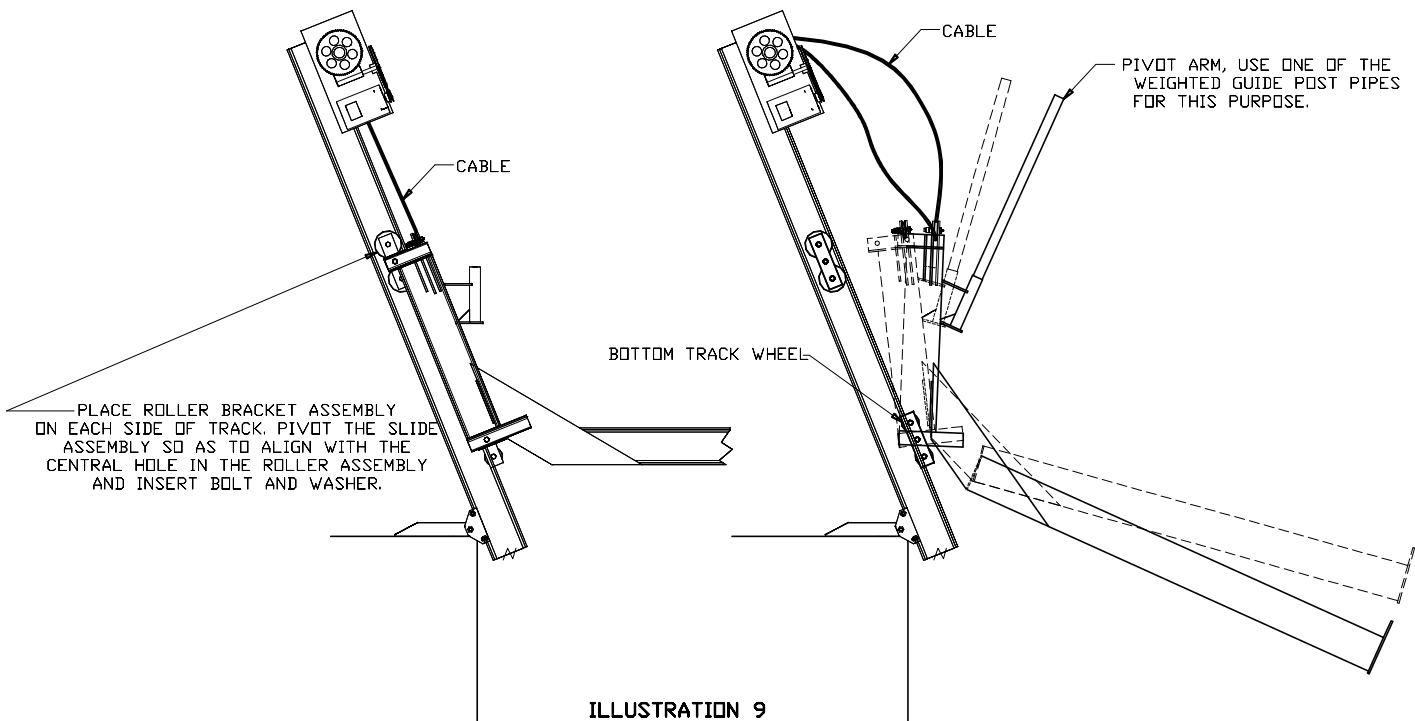


ILLUSTRATION 8-B

STEP 9



Leave the lower track wheels positioned on the track. Using the pivot bar, pivot the assembly (arm and cradle beam) back over the track. Slide the wheels and wheel bracket assembly into the beam (one at a time). Insert and tighten all bolts.

Repeat the above procedure for the second arm.

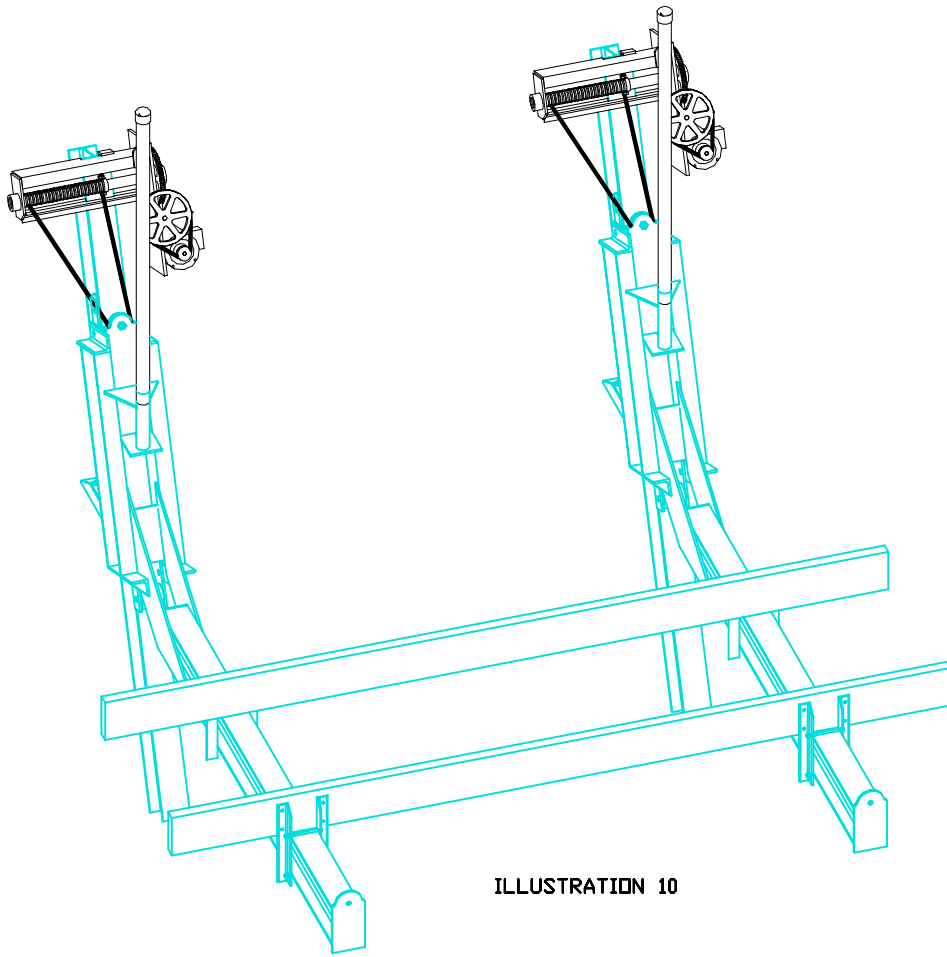


ILLUSTRATION 10

STEP 10

Measure inside "A" and outside "B" of beam. Be sure both dimensions measure the same. Attach the bunk board by drilling $\frac{9}{16}$ " holes in the carpet covered bunk boards and attach to the angle bunk support with bolts and nuts supplied. Tighten all nuts and bolts.

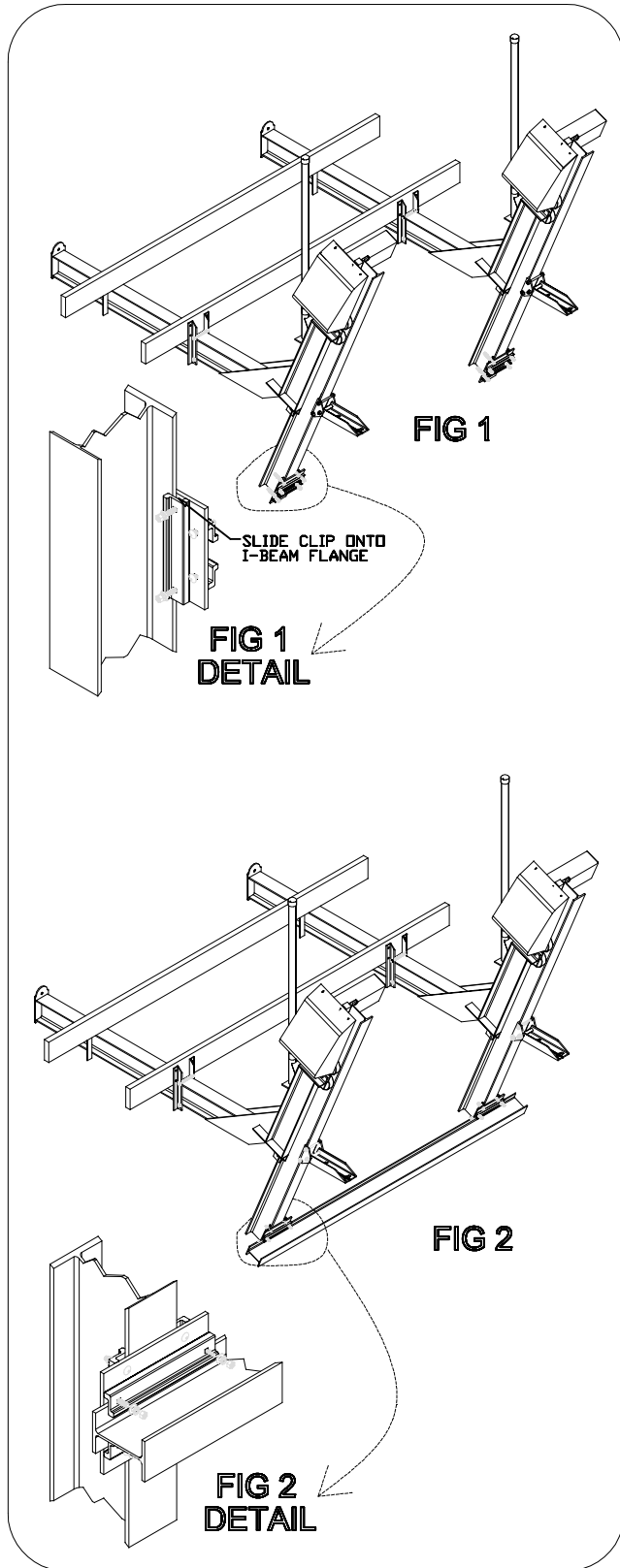
Grease all fittings on the lift and hoist. Place plastic covers over the drive units. Slide cover plate down and tighten the wing nuts. Place PVC pipes with caps over galvanized pole.

You will also have to locate the center of the boat width and mark the cradle at the distance from the guide post base. This will be the distance to locate the center of the bunk board placement. Slide the bunk boards until they are equal distance. **IMPORTANT:** Make sure that the boards will not hit any thing on the bottom of the boat. Then tighten down.

The lift is now ready for set up of boat. **IMPORTANT:** be sure center of gravity of boat is in the center of the lift before lifting. This is the position the boat should be all times when lifting.

ELEVATOR TRACK STIFFENER INSTALLATION FOR DEEP WATER & 15K & OVER

STEP 11



□ I-BEAM & BRACKET MOUNTING ASSEMBLY

- Install one Stiffener bracket onto each I-Beam track. (SEE FIG 1)
- Tighten the Bolts on the guide post clip enough to secure the Stiffener Bracket on I-Beam track.

□ STIFFENER BEAM TO TRACK ASSEMBLY

- Install 4" I-Beam by sliding the 4" I-beam through both of the stiffener brackets. (SEE FIG 2)
- Tighten the Bolts on the guide post clip enough to secure the Stiffener Bracket.
- Slide Stiffener Bracket and 4' I-Beam down tracks until they are half way from water level and floor bottom.
- With Stiffener Support Plate and I-Beam in position, tighten all bolts.

BOAT LIFT

Final Instalation List

Customer _____ Phone # _____

Address _____ Other # _____

City _____ State _____ Zip _____

Address _____ Phone # _____

- Lift operational with no squealing**
- Piling mount bolts tight**
- Motor mount bolts tight**
- Belts tight**
- Lift greased Upper beams _____ Cradle _____**
- Area cleaned up**
- Lift cleaned, No grease etc...**
- Front and Back covers installed**
- Bunks and guide poles adjusted correctly for boat**
- Poles cut evenly**
- Electrical hooked up**

COMMENTS: