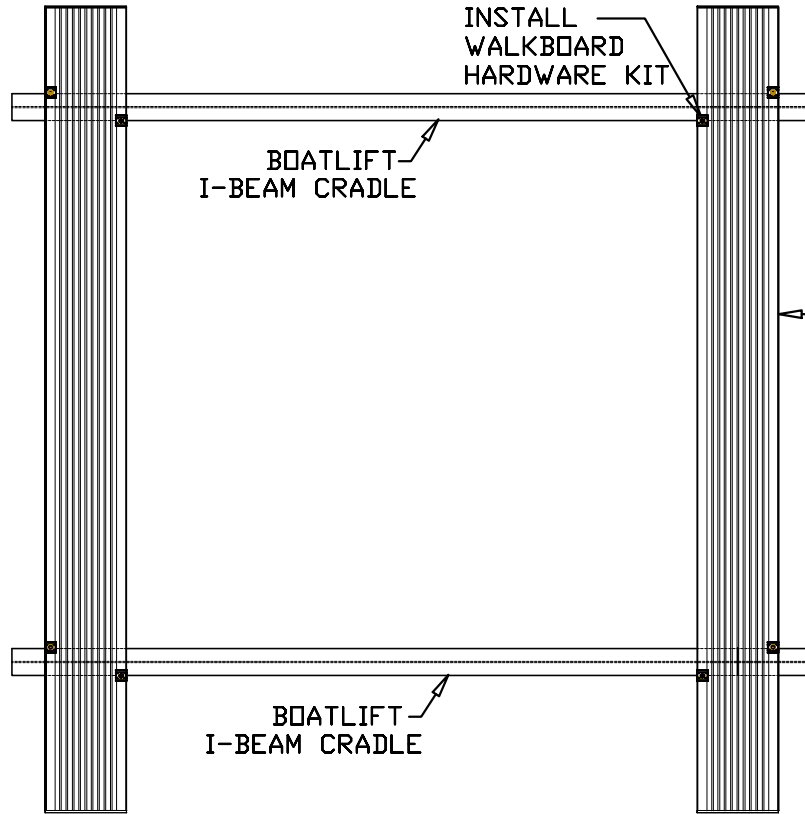
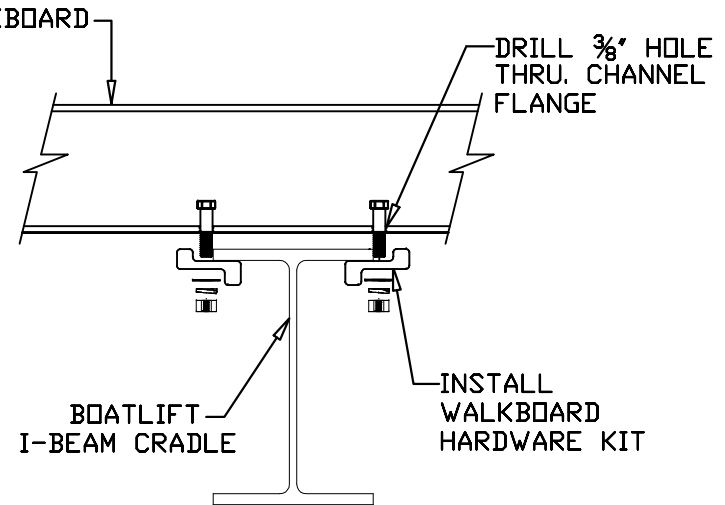


WALKBOARD TO I-BEAM MOUNTING ASSEMBLY



**FIG 1**  
**TOP VIEW**



**FIG 2**  
**SIDE VIEW**

UNLESS OTHERWISE SPECIFIED DIM ARE IN INCHES TOL ON ANGLE 30:3 2 PL ± 0.02 3 PL ± 0.010 INTERPRET DIM AND TOL PER ASME Y14.5 - 1994 THIRD ANGLE PROJECTION		THIS DRAWING AND RELATED INFORMATION IS PROPRIETARY AND CONFIDENTIAL. THIS DRAWING AND THE INFORMATION CONTAINED MAY NOT BE REPRODUCED, USED OR DISCLOSED EITHER IN PART OR ENTIRETY WITHOUT EXCLUSION TO ANY THIRD PARTY WITHOUT THE EXPRESS WRITTEN PERMISSION OF HURRICANE BOAT LIFTS.				TITLE <b>CAT5-WALKBOARD INSTALLATION INSTRUCTIONS</b>				
DRAWING NO.		BDM		MS.		CHECKED		HURRICANE BOAT LIFTS 3301 SE SLATER STREET STUART, FL 34997		
DRAWN		SIGN OFF								
LRR		DATE		DATE						