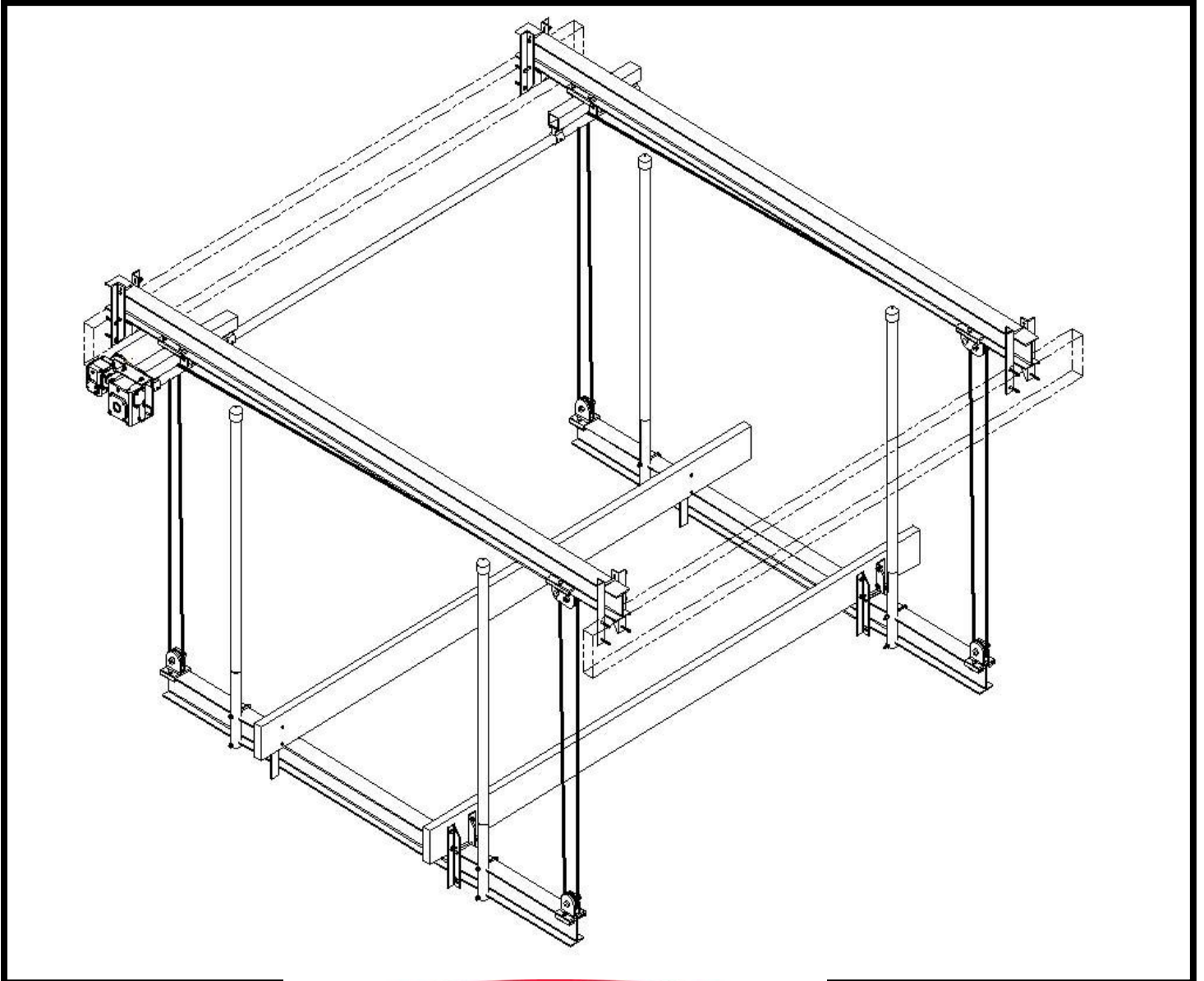


BOAT HOUSE LIFT

OWNER MANUAL



www.hurricaneboatlifts.com

3301 S.E. Slater Street

Stuart, Florida 34997

772-781-2556 888-847-3625 FAX 772-781-4854

Operation

THANK YOU

We would like to take a moment to thank you for purchasing a HURRICANE BOAT LIFTS. We believe our lifts are the easiest to use on the market today, and know that your new lift will give you many years of trouble free service. In the following pages you will find the necessary information for the maintenance of your new lift, as well as instructions on its use. Your new HURRICANE BOAT LIFT is the result of over 20 years of extensive research, design and development in Florida where corrosion, barnacles, and severe weather makes lifting boats absolutely necessary. As the leader in the industry, the HURRICANE BOAT HOUSE LIFT offers features provided exclusively by HURRICANE.

GENERAL OPERATION:

Upon completion of your lift, the installer will adjust the bunks to fit your craft

1. Turn power on to Lift
2. Set switches in "down" position and allow lift cradle to sink into water deep enough to clear hull.
3. **DO NOT LOWER CRADLE ONTO GROUND AS CABLE MAY LOOSEN ON WINDINGS.**
4. Float craft into pick-up position. Guide poles will automatically center boat over bunks. The center of gravity of the craft must be over the center of the lift cradle. Normally most of the overhanging portion of the craft will be the bow extended beyond the front of the lift.
5. set switches in "up" position and stay in the center of the craft to avoid listing. Maintain fore and aft position and as soon as you feel the bunks contact the hull, you can set the switches to the "off" position and step off the craft.
6. Continue to raise the craft by setting the switches to the "up" position. When lift cradle is at desired height, set the switches to the "off" position.
7. Turn power off to lift

SAFETY TIPS:

- Keep children away.
- Do not overload the lift.
- Do not power the craft onto the lift cradle as this will result in damage to the lift and/or craft.
- Do not allow yourself to be distracted or walk away from lift during operation. Failure to shut off lift will result in damage to lift and/or craft.
- Do not allow lift cradle to fully contact the sea bed as this will tangle the cables.
- Do not allow the lift cradle to fully contact the driveshaft and/or winder area as this will result in damage to the lift and/or craft.
- Keep hands and clothing away from all moving parts during operation.
- Lift motors must be stopped completely before reversing lift direction otherwise lift may continue to move in the same direction.
- Make sure the bilge pump is set for automatic or remove the drain plug. Significant water accumulation in the bilge may overload the lift.
- We recommend that you turn the power off to the lift when you are not boating. When the power is off, no one can steal your craft.
- The lift is not designed for lifting human beings, and no persons should be in or under the craft while it is in suspended position.

HELPFUL HINTS

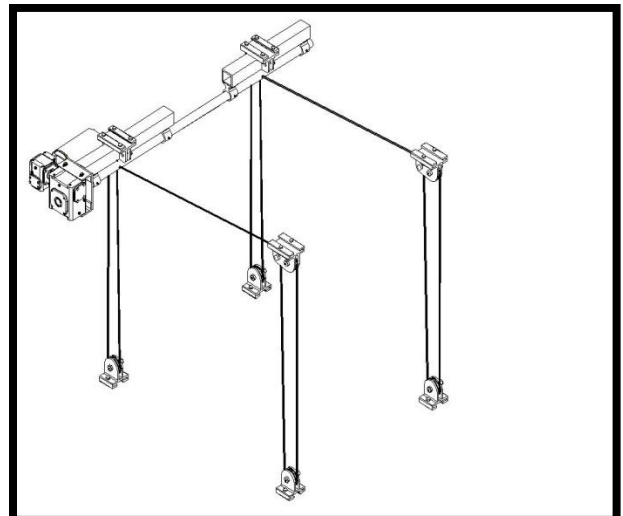
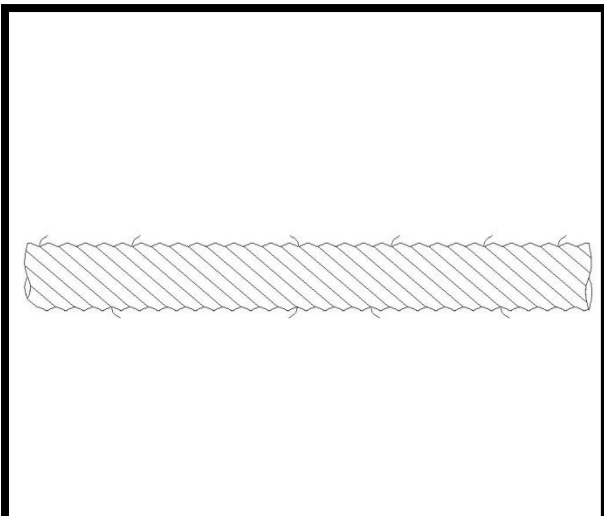
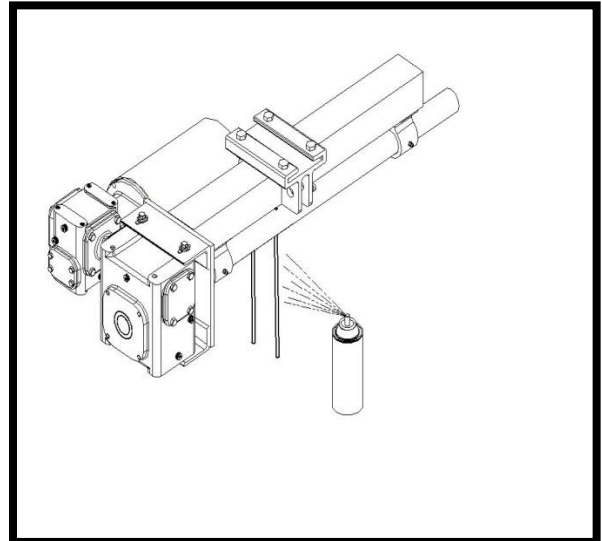
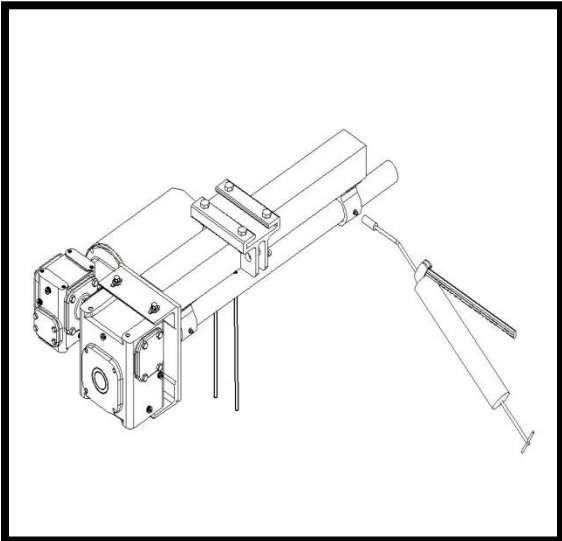
A reference mark can be placed on a guide pole to indicate that the lift cradle is deep enough for the craft's hull to clear the cradle. This will assure clearance entering and leaving the cradle as the tide changes.

For shallow water installations, a reference mark can be placed on a cable to indicate that the cradle has contacted the sea bed. Turing the lift off before this point will prevent the cable winds from becoming tangled.

STILL NEED HELP? CALL 888-847-3625

Lubricant and Preventative Maintenance

MAINTENANCE TIP: to keep your HURRICANE LIFT operating at peak performance and minimizing service calls, we recommend that you operate your lift occasionally during the off-season or extended periods of no boating activity. Simply run the lift for approximately one minute in each direction. This will keep the motor contacts and brushes clean and all pulleys and bearings evenly lubricated.



***HURRICANE BOAT LIFTS strongly recommends service to be performed by an authorized dealer to maintain warranty**

WARRANTY

HURRICANE BOAT LIFTS warrants as follows

1. The structural integrity of the aluminum and stainless steel structure members will be free from defects in material and workmanship for a period of 15 years from date of delivery to the original owner.
2. The gearbox will be free from defects in material and workmanship for a period of 5 years.
3. The electrical motor will be free from defects in material and workmanship for a period of 2 years from the date of delivery to the original purchaser.
4. The remaining components will be free from defects in material and workmanship for a period of 2 years from date of delivery to the original purchaser.

HURRICANE BOAT LIFTS agrees to provide the necessary parts and service to the equipment during warranty periods described above; provided HURRICANE BOAT LIFTS receives notice of any such defects within the applicable specified warranty periods.

This warranty shall be deemed void and unenforceable and the equipment shall be deemed sold "AS IS" and "WITH ALL FAULTS" with the entire risk as to quality and performance to be borne by the original purchaser without any implied warranty of fitness or merchantability if any of the following should occur.

1. If the equipment should be installed at any location other than the original purchaser's address specified in the sales agreement.
2. If the equipment shall be used in any commercial fashion or other than in accordance with the recommendations contained in the operators manual provided to the original purchaser.
3. If the equipment is damaged by an event that is not the company's fault; such as, but not limited to, damage caused by accidents, misuse, overloading, negligence, alteration, modification, or abusive operation.
4. If the original purchaser or any one not authorized by HURRICANE BOAT LIFTS attempts to make any repairs to the equipment.

This warranty further does not cover any damages whatsoever including incidental and/or consequential damages resulting from any adverse weather conditions, acts of God or other causes not due to a defect in materials and/or workmanship of the equipment.

NOTE: Some states do not allow the exclusion or limitation of incidental or consequential damages so the above limitation or exclusion may not apply to you.

The provisions contained in this warranty shall constitute the entire warranty for the equipment. Any statements made relating to the equipment prior to the delivery of this warranty to the original purchaser and any descriptions or other information contained in any brochure describing the equipment are not intended to and do not form any part of the sales agreement and are not part of this warranty and are superseded by the terms of this warranty.

Effective 3-20-15

IMPORTANT NOTICE

1. The installation is completed according to the manufacturer's recommendations.
2. The ultimate user understands how to operate in a safe manner.
3. The ultimate user acknowledges the need for regular service and maintenance of the equipment by an authorized HURRICANE BOAT LIFT dealer.

No alterations or modifications may be made to HURRICANE BOAT LIFTS equipment without the expressed written consent of HURRICANE BOAT LIFT SALES. Re-installation of HURRICANE BOAT LIFTS equipment must be performed by an authorized HURRICANE BOAT LIFT Agent/Dealer and must be performed to the standards set forth by HURRICANE BOAT LIFTS. Transfer of any remaining warranty to a new location is solely at the discretion of HURRICANE BOAT LIFTS. It is the obligation of the re-installer to inform any new operators of the above conditions. Maintenance/Owners Manuals and Safety Warning Decals are available on request from HURRICANE BOAT LIFTS.